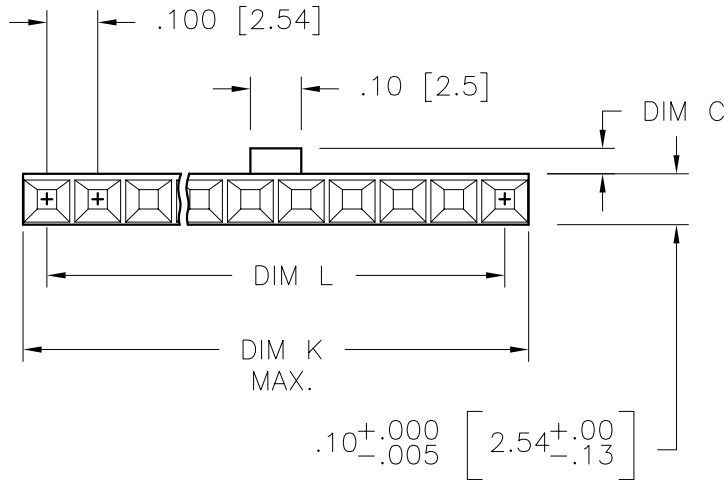
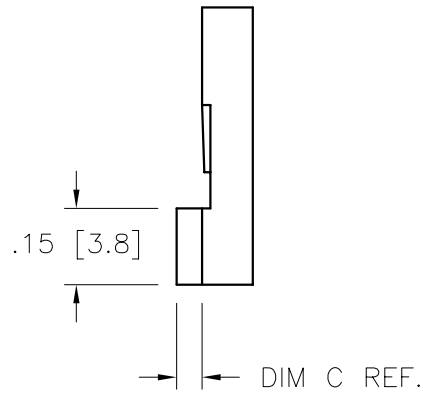
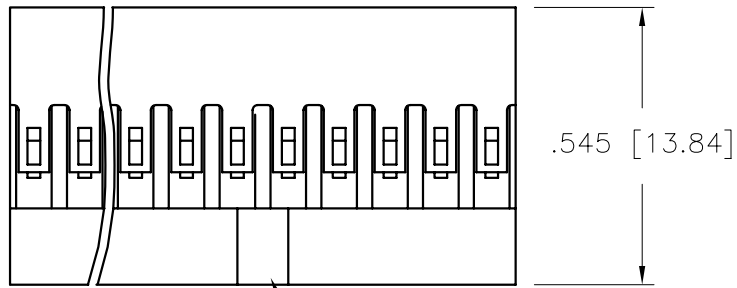


PRODUCT NO.
SEE TABLE



NOTES:

- ① MOLDING MATERIAL: MODIFIED POLYPHENYLENE ETHER, FLAME RETARDANT PER UL-94V-0, COLOR: BLACK.
2. TO BE MATED WITH PIN .225±0.015/5.72±0.38 LONG.
3. THIS HOUSING IS INTENDED FOR USE WITH MINI PV™ WITH 22-36 AWG. WIRE.
4. FOR APPLICATION INFORMATION SEE TA-531. PRODUCT SPECIFICATION: BUS-12-067.
- ⑤ CORING CONFIGURATION IN POLARIZING KEY IS MANUFACTURING OPTION.
6. PRODUCT MEETS EUROPEAN UNION DIRECTIVES AND OTHER COUNTRY REGULATIONS AS DESCRIBED IN GS-22-008.
7. THIS PRODUCT IS NOT INTENDED TO BE EXPOSED TO MANUFACTURING SOLDER PROCESSES.



Copyright FCI

| | | | | | | | | | | | |
|---------------------------|----------|----------|------------|---------------------------------------|-----------|--|--|-----------------------|--|-------------------------------|--|
| mat'l. code SEE NOTE 1 | | | | surface ✓ | | tolerance tolerances unless otherwise specified | | projection INCH/MM | | product family PV HOUSINGS | |
| ltr | ecr no | dr | date | tolerances unless otherwise specified | | angles | | linear | | title | |
| K | v07-0533 | HTB | 2007-08-21 | | | | | .XX+01/XX+3 | | MINI LATCH HOUSING SR | |
| - | - | - | - | | | | | .XXX+005/XXX+13 | | POLARIZED .100 [2.54] CC | |
| E | v90975 | BKB | 1999-06-24 | 0°±2' | | | | .XXXX+0020/XXX+051 | | scale 3:1 | |
| F | v00478 | RGD | 2000-02-03 | dr | M. FETROW | 1989-07-12 | | | | dwg no | |
| G | v03-1361 | PJ | 2004-02-16 | engr | H. SUNDY | 1989-07-12 | | | | sheet 1 of 2 | |
| H | v05-0716 | TAB | 2005-07-29 | chr | H. SUNDY | 1989-07-12 | | | | size | |
| J | v06-0446 | HTB | 2006-05-15 | appd | H. SUNDY | 1989-07-12 | | | | A3 | |
| sheet | | revision | | K | | K | | | | type | |
| index | | sheet | | 1 | | 2 | | | | Product Customer Drawing | |

| PRODUCT NUMBER | NO OF POS | DIM K | DIM L | DIM C |
|----------------|-----------|-------------|-------------|-----------|
| 78211-003LF | 3 | .300/7.62 | .200/5.08 | .050/1.27 |
| 78211-004LF | 4 | .400/10.16 | .300/7.62 | .050/1.27 |
| 78211-005LF | 5 | .500/12.70 | .400/10.16 | .050/1.27 |
| 78211-006LF | 6 | .600/15.24 | .500/12.70 | .050/1.27 |
| 78211-007LF | 7 | .700/17.78 | .600/15.24 | .050/1.27 |
| 78211-008LF | 8 | .800/20.32 | .700/17.78 | .050/1.27 |
| 78211-009LF | 9 | .900/22.86 | .800/20.32 | .050/1.27 |
| 78211-010LF | 10 | 1.000/25.40 | .900/22.86 | .050/1.27 |
| 78211-011LF | 11 | 1.100/27.94 | 1.000/25.40 | .050/1.27 |
| 78211-012LF | 12 | 1.200/30.48 | 1.100/27.94 | .050/1.27 |
| 78211-013LF | 13 | 1.300/33.02 | 1.200/30.48 | .050/1.27 |
| 78211-014LF | 14 | 1.400/35.56 | 1.300/33.02 | .050/1.27 |
| 78211-015LF | 15 | 1.500/38.10 | 1.400/35.56 | .050/1.27 |
| 78211-103LF | 3 | .300/7.62 | .200/5.08 | .100/2.54 |
| 78211-105LF | 5 | .500/12.70 | .400/10.16 | .100/2.54 |
| 78211-106LF | 6 | .600/15.24 | .500/12.70 | .100/2.54 |



FCconnect.com

Copyright FCJ

| | | | | | | | | | | | |
|---------------------------|----------------|----|------|---|--|-------------------|--|------------|--|-----------------------------------|--|
| mat'l. code SEE NOTE 1 | | | | surface <input checked="" type="checkbox"/> | | tolerance | | projection | | product family PV HOUSINGS | |
| ltr | ecn no | dr | date | tolerances unless otherwise specified | | angles | | INCH/MM | | title | |
| K | | | | linear | | .XX+01/X+3 | | | | MINI LATCH HOUSING SR | |
| | | | | 0'±2" | | .XXX+005/XXX+13 | | scale 1:1 | | POLARIZED .100 [2.54] CC | |
| | | | | dr M. FETROW 1989-07-12 | | XXXX+0020/XXX+051 | | | | dwg no 78211 sheet 2 of 2 size A3 | |
| | | | | enrg H. SUNDY 1989-07-12 | | | | | | type Product Customer Drawing | |
| | | | | chr H. SUNDY 1989-07-12 | | | | | | | |
| | | | | appd H. SUNDY 1989-07-12 | | | | | | | |
| sheet index | revision sheet | | | | | | | | | | |

form A3 1 2 3 4 5 6